

LOADMASTER™

www.loadmaster.org

906.563.9226



Eclipse



Low Maintenance Highly Productive

The simplicity of the patented sprocket arm is where the Eclipse shines. Keeping the arm operation and design simple keeps it from breaking down and requiring maintenance. What little maintenance is required is easy to complete. Reliability is key keeping you on route and in service.



906.563.9226





LED Lighting Packages

LED lights are standard, we have multiple strobe light packages and orientations to cover all your safety lighting needs. We also offer work lights and auxiliary reverse lights

Remote Grease Lines

Grease from ground remote grease lines standard. Making sure the unit is properly greased is critical to achieving the longevity and uptime required. We've made it as easy as possible with banks of grease lines for each grease point.

CNG Options

Tailgate, roof, and behind the cab CNG tank mounting locations with multiple tank sizes available.



906.563.9226

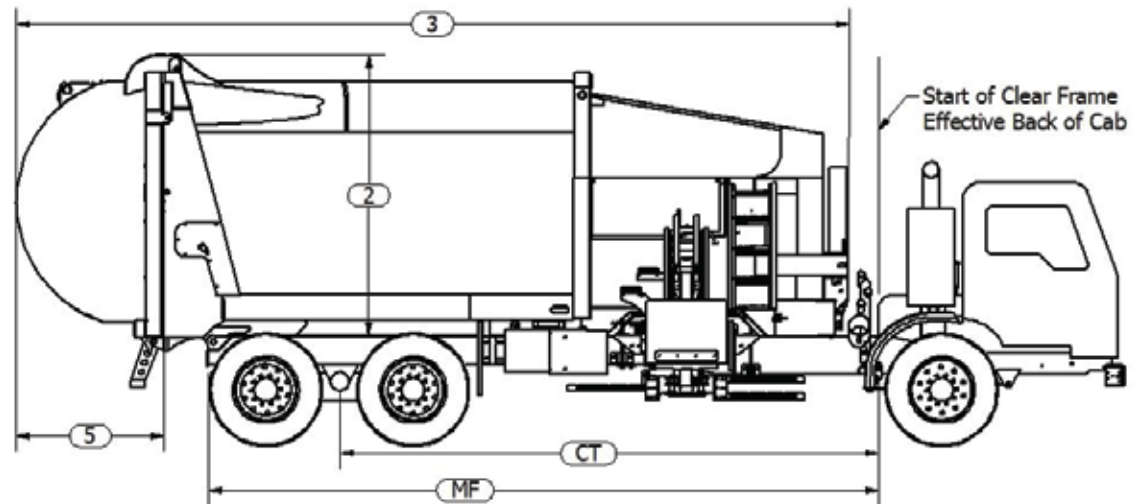


Heavy Duty Packing

We offer two different pack strokes the short pack and the long pack. The short pack for quickly clearing the hopper and the long pack for full 20" penetration into the body. Using the short pack on the first 100 cans to push waste into the bottom of the body then using the long pack every 4th can to get a balance of compaction and hopper clearing.

Patented Sprocket Arm

Our Patented Sprocket Arm offers reliability and simplicity. The Sprocket runs with a single cylinder mounted in the middle static section. The Sprocket rides on a greaseless bushing ladder this leads to very minimal wear and maintenance.



LOADMASTER *Eclipse* DIMENSIONAL SPECIFICATIONS

1 AVAILABLE VOLUMES	25 YD ³	28 YD ³	31 YD ³	34 YD ³
2 HEIGHT ABOVE FRAME	107"	107"	107"	107"
3 OVERALL LENGTH	270"	294"	315"	335"
4 OVERALL WIDTH	96"	96"	96"	96"
5 BODY TO REAR OF TAILGATE	9"	33"	54"	54"
6 APPROX BODY WEIGHT	16,800 LBS	17,500 LBS	18,400 LBS	18,800 LBS
7 HOPPER CAPACITY	6.4 YD ³	6.4 YD ³	6.4 YD ³	6.4 YD ³
8 TAILGATE CAPACITY	1 YD ³	4 YD ³	7 YD ³	7 YD ³
9 BODY (ONLY) CAPACITY	24 YD ³	24 YD ³	24 YD ³	27 YD ³



CHASSIS RECOMMENDATIONS FOR *Eclipse*

BODY SIZE	MINIMUM GVWR	MINIMUM FRONT GAWR	MINIMUM REAR GAWR	USABLE CT/CA	MINIMUM REQUIRED FRAME
25 YD ³	54,000	18,000	36,000	196"	260"
28 YD ³	58,000	18,000	40,000	200"	260"
31 YD ³	64,000	20,000	44,000	204"	260"
34 YD ³	66,000	20,000	46,000	224"	280"



100 9th Ave.
P.O. Box 186
Norway, MI 49870
Proudly made in Norway, Michigan



Loadmaster reserves the right to change specifications without notice and without obligation to install them on units sold. Information published is informational only and shall not be construed to warrant suitability of the unit for any particular purpose as performance may vary with the conditions encountered. Illustrations shown may include optional equipment and accessories, and may not include all standard equipment.

906.563.9226

www.loadmaster.org